

# Qulee Series Option Catalog

ULVAC residual gas analyzer/process gas monitor Qulee series provides a variety of options. The Qulee QIP series has an automatic start/stop function, jacket heaters and carry cases for flexibility.



Jacket heater BGM-JH01



Carry case CB-001



I-shape piping



Qulee CGM-QIP

## Option List

Parts name	Specification	Model									
		CGM-051	CGM-052	BGM-101	BGM-102	BGM-201	BGM-202	HGM-202	HGM-302		
AC power adapter	AC100 to 240V	PW-060A-01Y240 (G)									
Power cable (AC adaptor needed separately)	Korea ver.	KK3P-WSH-2									
	China ver.	GBP-F-GBSS-2									
	German ver.	CEE3P-WS-1.8									
	USA ver.	ULJP-C-ULJPSS-2									
Quick Install Package System	Automatic measuring start/stop system	CGM051-QIP-PG *1	CGM052-QIP-PG *1	---	BGM-102-QIP-IG *2	---					
Jacket heater	Jacket heater for Qulee	CGM-JH01	---	---	BGM-JH01	---	BGM-JH01	HGM-JH01			
	Jacket heater for Qulee QIP	CGM-JH02	---	---	---	---	---	---			
Carry case	CGM/BGM/QIP common use	CB-001									
Communication cable (without RS232C connector)	0.3 m	RS232C	QCC-003								
	3 m		QCC-030								
	5 m		QCC-050								
	10 m		QCC-100								
	15 m		QCC-150								
	20 m		QCC-200								
	30 m		QCC-300								
50 m		QCC-500									
RS232 connector	D-sub 9 pin female/modular connector for conversion	200001668900									
USB/RS232C micro converter		COM-1(USB)H *3 *4									
RS485 communication kit		COM-1PD(USB)H *3 *4									
RS485 branch connector	Y shape coupler, multi use: no. Analyzer tube-1 pieces needed	186-3082									
Analyzer tube		CGM-AN51	CGM-AN52	BGM-AN101/201	BGM-AN102/202	BGM-AN101/201	BGM-AN102/202	HGM-AN202			
Filament replacement kit		---									
Ion source		CGM-IS01	---	BGM-IS01				QIS-001			
Secondary electron multiplier tube		---	CGM-EM01	---	BGM-EM01	---	BGM-EM01	QEM-001			
Isolation valve	L-shape bellows valve (manual)	VULH-40CM									
	L-shape bellows valve (pneumatic) w/o lead switch	VULP-40CM									
I-shape piping with UFC gasket, NW clamping, NW centering	UFC070-NW16, L=46mm	C70-NW16									
	UFC070-NW25, L=46mm	C70-NW25									
	UFC070-NW40, L=49mm	C70-NW40									
Portable differential pumping kit Qulee with YTP (*5 Refer to catalog for details)	Oil rotary pump	Max usable pressure	Atmosphere *6	---	210006400400	210006400500	210006400600	210006400700	---	210006436900	
		500Pa *7	---	210006296200	210006296600	210006297000	210006297400	---	210006436500		
		3.75Torr *7	---	---	---	---	---	---	---		
		5mbar *7	---	---	---	---	---	---	---		
		100Pa *7	---	---	---	---	---	---	---		
		7.5x10 <sup>-1</sup> Torr *7	---	210006296300	210006296700	210006297100	210006297500	---	210006436600		
		1mbar *7	---	---	---	---	---	---	---		
	Scroll type pump	Max usable pressure	Atmosphere *6	---	210006413800	210006413900	210006414000	210006414100	---	210006437400	
		500Pa *7	---	---	---	---	---	---	---		
		3.75Torr *7	---	210006414200	210006414300	210006414400	210006414500	---	210006437000		
		5mbar *7	---	---	---	---	---	---	---		
		100Pa *7	---	---	---	---	---	---	---		
		7.5x10 <sup>-1</sup> Torr *7	---	210006414600	210006414700	210006414800	210006414900	---	210006437100		
		1mbar *7	---	---	---	---	---	---	---		
10Pa *7	---	---	---	---	---	---	---				
Vacuum metal hose	Max usable pressure	Atmosphere *6	---	210006414600	210006415100	210006415200	210006415300	---	210006437200		
	500Pa *7	---	---	---	---	---	---	---			
	3.75Torr *7	---	---	---	---	---	---	---			
	5mbar *7	---	---	---	---	---	---	---			
	100Pa *7	---	---	---	---	---	---	---			
	7.5x10 <sup>-1</sup> Torr *7	---	210006415000	210006415100	210006415200	210006415300	---	210006437200			
	1mbar *7	---	---	---	---	---	---	---			
10Pa *7	---	---	---	---	---	---	---				
Vacuum metal hose	NW16, L=1m	KFH-16-1000									
	NW25, L=1m	KFH-25-1000									
	NW40, L=1m	KFH-40-1000									
	UFC070, L=1m	CFH-070-1000									

\*1 A pirani gauge G-TRAN SW is included.  
 \*2 Please use separate ionization gauges (GI-M2, SH2). Connecting procedures has to be done by customer.  
 \*3 We cannot guarantee compatibility with all the PCs.  
 \*4 Please install a driver before connecting Qulee.  
 \*5 An exhaust set format will be YTP-50M. Please refer to brochures/specifications of YTP series for details.  
 \*6 A sampling pressure is only atmospheric pressure.  
 \*7 Please use a working pressure as a guide.

# Qulee Series Option Catalog

## Jacket Heater Spec.

▶ A Jacket type heater designed for heat-uniform baking of analyzer tubes in Qulee.

Model	CGM-JH01 / CGM-JH02 / BGM-JH01	HGM-JH01
Power input	AC100V, 100W (CGM-JH01 / CGM-JH02), AC100V, 100W (BGM-JH01)	AC120V, 200W
Size (approx dimension)	φ90×120mm (CGM-JH01 / GM-JH02), φ90×250mm (BGM-JH01)	φ130×310mm
Weight	280g (CGM-JH01), 270g (CGM-JH02), 470g (BGM-JH01)	1100g
Connector cable	Heat resistant coat 2 lead cable, 1m length	Heat resistant coat 2 lead cable, 2.3m length
Plug shape	Flat type 2 lead plug	
Sensor baking temp. (at uniform)	100°C±20°C (212°F±36°F) (Allowance ±10°C (±18°F) to set temperature)	200°C±5°C (392°F±9°F)
Heater temp. adjustment	Depends on thermostat inside the heater	
Internal fuse operation temp	200°C (392°F)	230°C (446°F)

\* This unit does not include ground-fault interrupter (GFI)

## Carry Case Spec.

▶ Excellent for carrying and storing Qulee series equipments

Size W×D×H	500mm×400mm×160mm
Weight (when empty)	5.0kg
Deliverable item list	CGM-051/052, CGM-051/052-QIP, BGM-101/102/201/202, HGM-202/302

## Country Specific Power Cables Spec.

KK3P-WSH-2 (Korea)	Rating 7A-250V, cable length 2m, Plug K(S) type
GBP-F-GBSS-2 (China)	Rating 10A-250V, cable length 2m, Plug GB(O) type
CEE3P-WS-1.8 (Germany)	Rating 10A-250V, cable length 1.8m, Plug CEE7(S) type
ULJP-C-ULJPSS-2 (USA)	Rating 15A-125V, cable length 2m, Flat 2 pin plug + earth pin(A) type

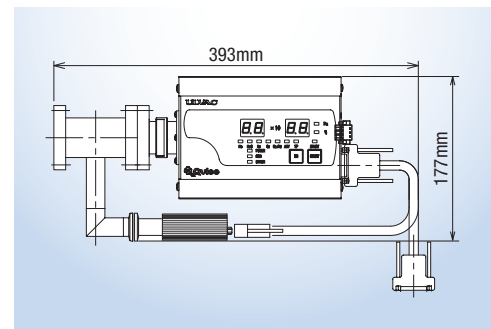
## USB-RS232C/RS485 Micro converter spec.

	RS232C	RS485 communication kit
Model	COM-1 (USB) H	COM-1PD(USB) H
Channel No.	1CH	
Input specification	RS232C	RS485
Transmission	Asynchronous serial transmission	
Baud rate	300-921600bps (Qulee:9600bps)	
Connector specification	USB side: USB A connector RS232C side: D-sub 9 pin connector	
USB specification	1.1/2.0	
Power supply	Only bus power	
Cable length	1.8m	
Standard accessories	—	D-sub 9 pin connector
	Driver CD-ROM	

## Auto-measuring Package Spec.

▶ ON/OFF of FIL, RF, SEM, and measurement start/stop, and data save actions are performed automatically, in conjunction with the pressure measured by external vacuum gauge.

Equipment configuration	Qulee BGM series+software for QIP (BGM-102-QIP), Qulee CGM series+software for QIP+special envelope+pirani gauge SW1, QIP cable (CGM-051-QIP/CGM-052-QIP)
Function	Start/stop of auto measuring, using vacuum gauge output. Interlock function, using gauge's set point output. Generates file name from clock in the PC, and auto-saves data in HDD when operation is terminated. (ex.) File name during scan mode at sensor 1's start time 12/10/2007, 10:10 00 sec. = "S1_071210_101000.qss"



ULVAC, Inc. Components Division

www.ulvac.co.jp/en

Overseas Sales in Japan TEL +81-467-89-2261

USA : ULVAC Technologies, Inc. TEL +1-978-686-7550  
 GERMANY : ULVAC GmbH TEL +49-89-960909-0  
 CHINA : ULVAC (SHANGHAI) Trading Co.,Ltd. TEL (86)21-6127-6610  
 TAIWAN : ULVAC TAIWAN, Inc. TEL +886-3-579-5688  
 KOREA : ULVAC KOREA, Ltd. TEL +82-31-683-2922  
 SINGAPORE : ULVAC SINGAPORE PTE LTD TEL +65-6542-2700

PHILIPPINES : ULVAC SINGAPORE PTE LTD Philippines Branch TEL +63-2-828-7700  
 VIETNAM : ULVAC SINGAPORE PTE LTD Vietnam Representative Office TEL +84-8-6255-6762  
 INDONESIA : ULVAC SINGAPORE PTE LTD Indonesia Representative Office TEL +62-21-8990-5070  
 THAILAND : ULVAC (THAILAND) LTD TEL +66-2-7388883  
 MALAYSIA : ULVAC MALAYSIA SDN. BHD. TEL +60-3-5121-4700  
 INDIA : ULVAC, Inc., India Branch TEL +91-40-27007006

▶ This catalog is subject to change without notice.

▶ This catalog is published in order to sell this product in overseas. Please see Japanese catalog when purchasing in Japan.